

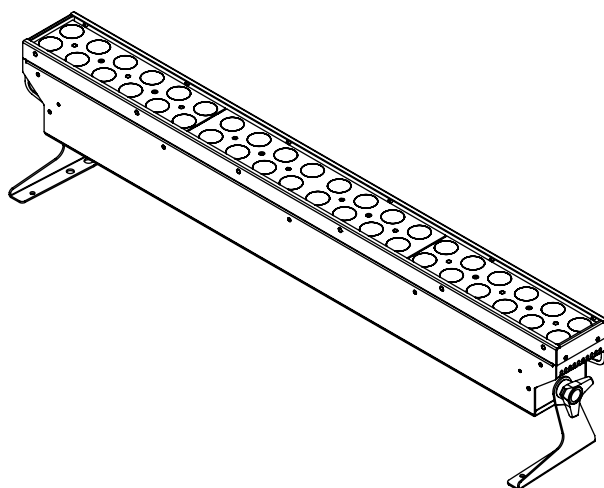
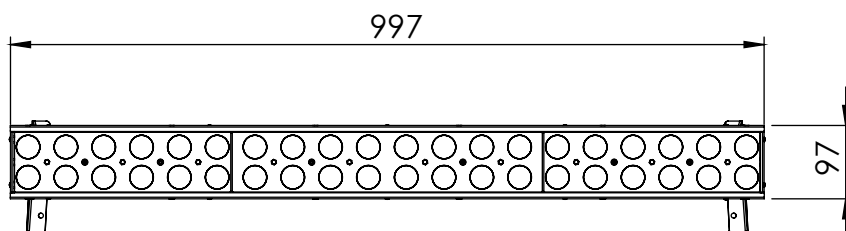
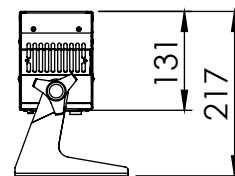
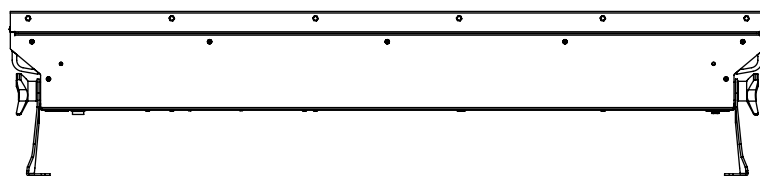


QuatroStar HO - linear LED fixture with high intensity RGBW one chip LED engines. Smooth colour mixing and 16-bit control mode ensures fine dimming. High light output with vibrant colours and 1200 Hz refresh rate for flicker free usage.

QuatroStar HO

LIGHT SOURCE	40 CREE MC-E LEDs
PIXELS PER FIXTURE	1, 2, 5, 10
BEAM SPREAD	16°, 22°, 36°, 47°
COLORS	R, G, B, W
AVERAGE COLOR WAVELENGTH	(Red: 625 nm, Green: 530 nm, Blue: 460 nm) White >5700K
REFRESH RATE	1200 Hz
INTENSITY CONTROL	8-bit or 16-bit
CONTROL	DMX 512A + RDM
DMX CHANNELS	3-80
OPERATING VOLTAGE	100-240 VAC 50/60 Hz
POWER CONSUMPTION	400 W
POWER CONNECTORS	Neutrik PowerCON
FUSE	6A 250V
COOLING	Active
OPERATING TEMPERATURE	-20 °C - +40 °C
IP RATING	IP20
FIXING	Adjustable yoke
UNIT DIMENSIONS (WxHxD)	997 x 97 x 131 mm
WEIGHT	6.5 kg

DIMENSIONS



QuattroStar HO