

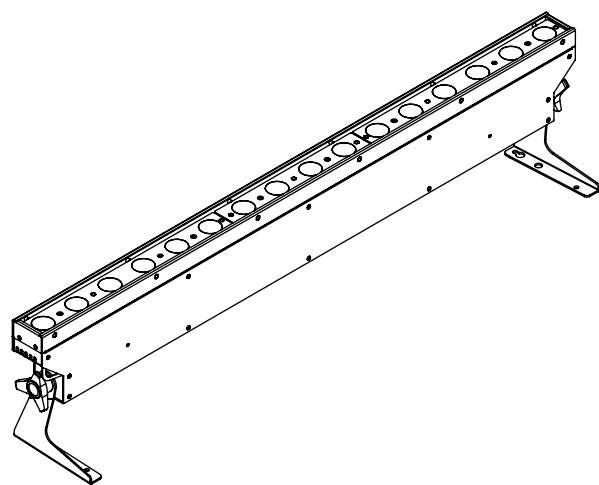
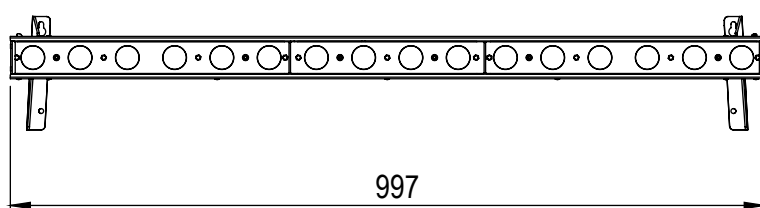
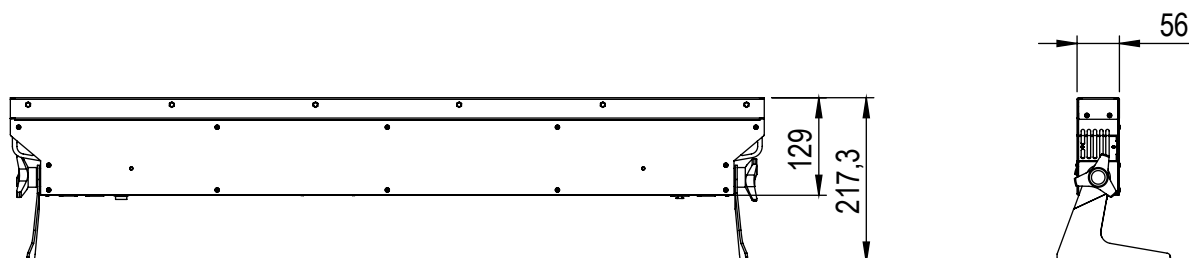


ColorLine HO outputs saturated colors with Instantaneous 16 high intensity RGBW one chip LED engines which are grouped into 8 pixels with 2 LED engines each. Each LED chip in the pixel is turned by 180° to provide smooth color mixing on the projection surface, 16 bit control ensures fine dimming and 1200Hz refresh rate makes it flicker free.

LIGHT SOURCE	64 CREE LEDs
PIXELS PER FIXTURE	1, 2, 4, 8
BEAM SPREAD	16°, 22°, 36°, 47°, 140°
COLORS	R, G, B, W
AVERAGE COLOR WAVELENGTH	(Red: 625 nm, Green: 530 nm, Blue: 460 nm) White >5700K
REFRESH RATE	1200 Hz
INTENSITY CONTROL	8-bit or 16-bit
CONTROL	DMX 512A+ RDM
DMX CHANNELS	3-64
OPERATING VOLTAGE	100-240 VAC 50/60 Hz
POWER CONSUMPTION	150 W
POWER CONNECTORS	Neutrik PowerCON
FUSE	4A 250V
COOLING	Active
OPERATING TEMPERATURE	-20 °C - +40 °C
IP RATING	IP20
FIXING	Adjustable yoke
UNIT DIMENSIONS (WxHxD)	997 x 56 x 129 mm
WEIGHT	5 kg

ColorLine HO

DIMENSIONS



ColorLine HO